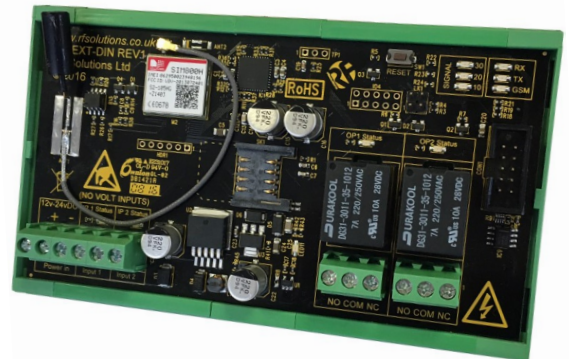


GSM Remote Control Systems

Features

- Two way remote control Via SMS Text
- Easy to install and configure using only SMS text messages
- Modular Expandable System
- 2-18 digital inputs (voltage free)
- 2-18 Relay Changeover contacts rated 240Vac 5A
- Text on Power Restore
- Integral Antenna supplied (External Option)
- Optional Temperature Sensor
- User can set inputs and outputs names
- Worldwide quad-band GSM.
- O2 SIM Card Included



EZTEXT-DIN

Applications

- Plant Maintenance
- Warnings / Alarms/ Reset
- Irrigation Systems
- Security Systems
- Heating Control
- World-wide Telemetry Signals



PRO-EZTEXT-26

Description

A GSM Remote Control System operated by SMS text message. Available as DIN Rail Modules or a ready made System within an IP56 enclosure Mains power supply and bundled SIM card ready to go.

The user can switch the relay changeover contacts by sending a simple or custom text of their choice.

EZTEXT will send an SMS text to up to five numbers on activation of one of its inputs or temperature set points.

The user can give custom names to Inputs/outputs and create Custom messages. Setup is easy with a few simple SMS Text Commands.

Ordering Information

PART No	Description
EZTEXT-DIN	DIN Rail SMS Control System
PRO-EZTEXT26	2 IP 6 OP Channel Remote Control System

Safety Information



Carefully read the following safety information before proceeding with installation, operation, or maintenance of RF Solutions product. Failure to follow these warnings could result in death or serious injury

- This radio system must not be used in areas where there is a risk of explosion.
- Only qualified personnel should be permitted to access the transmitter and operate the equipment.
- Always follow operating information as well as all applicable safety procedures and requirements.
- You must satisfy the age requirements in your country for operating the equipment.
- Store in a safe place.
- Keep a clear view of the work area at all time before using, check it is safe to do so

Before maintenance intervention on any remote controlled equipment

- Do not open the receiver enclosure unless you are qualified.
- Disconnect all electrical power from the equipment.
- Check the enclosure and cable for damage regularly, do not use if there is evidence of damage

Electrical Safety



ISOLATE the mains electricity supply before removing the cover and observe any relevant safety information.

- Maintenance to the product that involves removal of the cover should only be carried out by a competent person or qualified electrician.
- Ensure adequate protection on the Load circuit
- Refer to Product Datasheet for MAX operating Load.
- Product must be installed in accordance with the local country electrical regulations.
- A current limiting supply must be used in accordance with the datasheet

Information sur la sécurité



Lisez attentivement les informations de sécurité suivantes avant de procéder à l'installation, l'utilisation ou la maintenance du produit RF Solutions. Le non-respect de ces avertissements peut entraîner la mort ou des blessures graves

- Ce système radio ne doit pas être utilisé dans des zones présentant un risque d'explosion
- Seul le personnel qualifié doit être autorisé à accéder à l'émetteur et à utiliser l'équipement.
- Suivez toujours les instructions d'utilisation ainsi que toutes les procédures et exigences de sécurité applicables.
- Vous devez satisfaire aux exigences d'âge dans votre pays pour utiliser l'équipement
- Il est strictement interdit d'utiliser l'équipement sous l'influence de drogues, d'alcool et/ou de médicaments.
- Conserver dans un endroit sûr.
- Gardez une vue dégagée sur la zone de travail à tout moment

Avant intervention de maintenance sur tout équipement télécommandé

- N'ouvrez pas le boîtier du récepteur à moins d'être qualifié
- Coupez toujours l'alimentation électrique de l'équipement.
- Vérifiez régulièrement que le boîtier et le câble ne sont pas endommagés, ne les utilisez pas s'il y a des preuves de dommages



Avertissements de sécurité

- ISOLER l'alimentation électrique avant de retirer le couvercle et observer toutes les précautions de sécurité pertinentes.
- L'entretien du produit qui implique le retrait du couvercle ne doit être effectué que par une personne compétente ou un électricien qualifié.
- La valeur nominale du fusible F2 est de 4A (T) 250 H (céramique). Remplacez le fusible par le même type et la même valeur nominale.
- La sortie relais est évaluée à 10A en crête et 5A en constante.
- Le produit doit être connecté à une alimentation à fusible ou à une prise de connexion appropriée répondant aux exigences du pays d'installation.

Veiligheidsinformatie



Lees de volgende veiligheidsinformatie zorgvuldig door voordat u doorgaat met de installatie, bediening of het onderhoud van het RF Solutions-product. Het niet opvolgen van deze waarschuwingen kan de dood of ernstig letsel tot gevolg hebben

- Dit radiosysteem mag niet worden gebruikt in gebieden waar explosiegevaar bestaat.
- Alleen gekwalificeerd personeel mag toegang krijgen tot de zender en de apparatuur bedienen.
- Volg altijd de bedieningsinformatie en alle toepasselijke veiligheidsprocedures en -vereisten.
- U moet voldoen aan de leeftijdsvereisten in uw land voor het gebruik van de apparatuur.
- Bewaar op een veilige plaats.
- Houd te allen tijde een duidelijk zicht op het werkgebied voordat u het gebruikt, controleer of het veilig is om dit te doen

Vóór onderhoudsinterventie op op afstand bediende apparatuur

- Open de behuizing van de ontvanger niet tenzij u hiervoor gekwalificeerd bent.
- Koppel alle elektrische stroom van de apparatuur los.
- Controleer de behuizing en kabel regelmatig op beschadigingen, niet gebruiken als er tekenen van schade zijn

Electrische veiligheid



ISOLEER de netvoeding voordat u het deksel verwijdert en neem alle relevante veiligheidsinformatie in acht.

- Onderhoud aan het product waarbij de afdekking moet worden verwijderd, mag alleen worden uitgevoerd door een competent persoon of een gekwalificeerde elektricien.
- Zorg voor voldoende bescherming op het belastingscircuit
- Raadpleeg het productgegevensblad voor de MAX bedrijfsbelasting.
- Het product moet worden geïnstalleerd in overeenstemming met de plaatselijke elektriciteitsvoorschriften van het land.
- Er moet een stroombegrenzende voeding worden gebruikt in overeenstemming met de datasheet

Sicherheitsinformation



Lesen Sie die folgenden Sicherheitsinformationen sorgfältig durch, bevor Sie mit der Installation, dem Betrieb oder der Wartung des RF Solutions-Produkts fortfahren. Die Nichtbeachtung dieser Warnungen kann zum Tod oder zu schweren Verletzungen führen.

- Dieses Funksystem darf nicht in explosionsgefährdeten Bereichen eingesetzt werden.
- Nur qualifiziertem Personal sollte der Zugang zum Messumformer und die Bedienung des Geräts gestattet werden.
- Befolgen Sie immer die Betriebsinformationen sowie alle geltenden Sicherheitsverfahren und -anforderungen.
- Für den Betrieb des Geräts müssen Sie die Altersanforderungen Ihres Landes erfüllen.
- An einem sicheren Ort aufbewahren.
- Behalten Sie vor der Verwendung jederzeit freie Sicht auf den Arbeitsbereich und prüfen Sie, ob dies sicher ist

Vor Wartungsarbeiten an ferngesteuerten Geräten

- Öffnen Sie das Empfängergehäuse nur, wenn Sie dafür qualifiziert sind.
- Trennen Sie die gesamte Stromversorgung vom Gerät.
- Gehäuse und Kabel regelmäßig auf Beschädigungen prüfen, bei Anzeichen von Beschädigungen nicht verwenden.

Elektrische Sicherheit



TRENNEN Sie die Netzstromversorgung, bevor Sie die Abdeckung entfernen und beachten Sie alle relevanten Sicherheitshinweise.

- Die Wartung des Produkts, bei der die Abdeckung entfernt wird, darf nur von einer sachkundigen Person oder einem qualifizierten Elektriker durchgeführt werden.
- Sorgen Sie für einen ausreichenden Schutz des Lastkreises
- Siehe Produktdatenblatt für MAX Betriebslast.
- Das Produkt muss in Übereinstimmung mit den örtlichen Elektrovorschriften des Landes installiert werden.
- Es muss eine Strombegrenzungsversorgung gemäß Datenblatt verwendet werden.

Información de seguridad



Lea atentamente la siguiente información de seguridad antes de continuar con la instalación, operación o mantenimiento del producto de RF Solutions. El incumplimiento de estas advertencias podría provocar la muerte o lesiones graves.

- Este sistema de radio no debe utilizarse en áreas donde exista riesgo de explosión.
- Solo se debe permitir el acceso al transmisor y operar el equipo a personal calificado.
- Siga siempre la información de funcionamiento, así como todos los procedimientos y requisitos de seguridad aplicables.
- Debe cumplir con los requisitos de edad en su país para operar el equipo.
- Almacenar en un lugar seguro.
- Mantenga una vista clara del área de trabajo en todo momento antes de usar, verifique que sea seguro hacerlo

Antes de la intervención de mantenimiento en cualquier equipo controlado a distancia

- No abra la caja del receptor a menos que esté calificado.
- Desconecte toda la energía eléctrica del equipo.
- Compruebe la carcasa y el cable en busca de daños con regularidad, no los utilice si hay evidencia de daños



Seguridad ELECTRICA

AISLE el suministro eléctrico de la red antes de quitar la tapa y observe cualquier información de seguridad relevante.

- El mantenimiento del producto que implica la extracción de la cubierta solo debe ser realizado por una persona competente o un electricista calificado.
- Asegurar una protección adecuada en el circuito de carga.
- Consulte la hoja de datos del producto para conocer la carga operativa MÁXIMA.
- El producto debe instalarse de acuerdo con las normativas eléctricas locales del país.
- Se debe utilizar un suministro de limitación de corriente de acuerdo con la hoja de datos

Informazioni sulla sicurezza



Leggere attentamente le seguenti informazioni sulla sicurezza prima di procedere con l'installazione, il funzionamento o la manutenzione del prodotto RF Solutions. La mancata osservanza di queste avvertenze può provocare morte o lesioni gravi

- Questo sistema radio non deve essere utilizzato in aree a rischio di esplosione.
 - L'accesso al trasmettitore e l'utilizzo dell'apparecchiatura deve essere consentito solo a personale qualificato.
 - Seguire sempre le informazioni operative, nonché tutte le procedure e i requisiti di sicurezza applicabili.
 - È necessario soddisfare i requisiti di età nel proprio paese per l'utilizzo dell'apparecchiatura.
 - Conservare in un luogo sicuro.
 - Mantenere sempre una visione chiara dell'area di lavoro prima dell'uso, controllare che sia sicuro farlo
- Prima dell'intervento di manutenzione su qualsiasi apparecchiatura telecomandata
- Non aprire l'involucro del ricevitore se non si è qualificati.
 - Scollegare tutta l'alimentazione elettrica dall'apparecchiatura.
 - Controllare regolarmente la custodia e il cavo per verificare che non siano danneggiati, non utilizzare se vi sono segni di danneggiamento

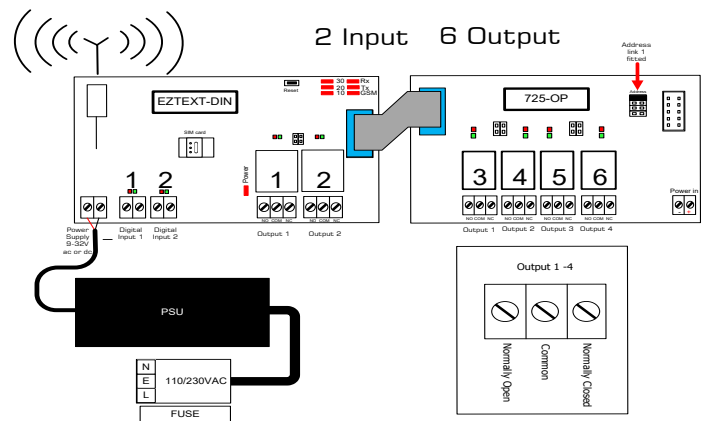
Sicurezza elettrica



ISOLARE l'alimentazione di rete prima di rimuovere il coperchio e osservare tutte le informazioni di sicurezza pertinenti.

- La manutenzione del prodotto che comporta la rimozione del coperchio deve essere eseguita solo da una persona competente o da un elettricista qualificato.
- Garantire un'adeguata protezione sul circuito di carico
- Fare riferimento alla scheda tecnica del prodotto per il carico operativo MAX.
- Il prodotto deve essere installato in conformità con le normative elettriche locali del paese.
- È necessario utilizzare un'alimentazione con limitazione di corrente in conformità con la scheda tecnica

Ready to Go System 2 I/P,'s 6 O/P's



Features

- 110-230Vac Power Supply Fused 5A
- 2 No Volt Switch inputs
- 6 Outputs Relay Changeover Contacts 240Vac 5A
- Enclosure IP56
- No PC required.
- SIM Card Bundled
- Dims 315 x 235 x 130mm

Description

Supplied as a self contained two way Remote Control System which provides two 'no volt' switch detect inputs and 6 changeover relay contacts as outputs.

The system comes supplied in an IP56 Enclosure with integral 12V power supply.

Containing industrial standard 'DIN Rail' modules.

Additional Input and Output Modules

The Add-on Modules simply plug into the EZTEXT-DIN Ribbon Connector socket. Once connected the EZTEXT automatically recognizes them and the additional inputs and outputs become available to use.



4 x Inputs Module

- 4 x Additional No-Volt Inputs
- Plug 'n' Play using ribbon cable supplied
- Up to 4 additional Input Modules can be Daisy Chained to provide 16 additional Inputs
- Inputs are opto-isolated

Part Number	Description
725-IP	4 input Add-on Module



4 x Relay Output Module

- 4 x Relay Changeover Contacts
- Connecting ribbon cable supplied
- Up to four Output Modules can be Daisy Chained to provide an additional 16 Outputs.
- Up to 4 x 725-OP can be Daisy Chained to provide 18 outputs.
- Provides a simple extension to the number of Inputs

Part Number	Description
725-OP	4 Output Add-on Module

Temperature Measurement Probe Cable

Using the cable adaptor CBA-EZTEMP provides a 1 metre plug in cable with temperature probe.

This enables the EZTEXT temperature monitor temperature and automatically send notification of high and low user selectable trigger level.

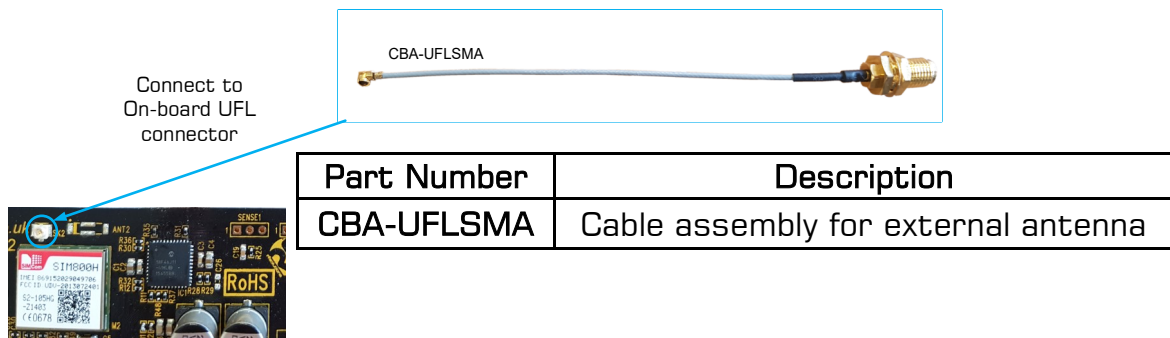


Part Number	Description
CBA-EZTEMP2	Temperature sensor cable

Optional External Antenna

Using an external antenna can provide a better signal reception than the on-board antenna. Using Cable adaptor CBA-UFLSMA provides a panel mounted SMA connector for external antenna connection.

To connect, carefully unplug the existing antenna UFL and push on the CBA-UFLSMA UFL connector.



ANT-GSM5WM

A compact PCB Antenna for GSM Cellular applications where high performance is required from a small size. Using the ANT-GSMQB will give optimum range and reliability to your application.

Part Number	Description
ANT-GSM5WM	+5dBm Gain antenna with wall mount

ANT-GSMPUKS-IP67

A compact Antenna for GSM applications where high performance is required from a small size. The antenna includes a Low Noise Amplifier and is housed in a rugged low profile UV resistant case, this antenna is compact and resistant to Vandalism.



Part Number	Description
ANT-GSMPUK-SMA	+3dBm Gain antenna Rugged PUCK

Alternative Antenna

We offer an extensive range of GSM antenna in many shapes and sizes please see our Website or contact our Sales Dept with your requirements and we will try to help.

Using EZTEMPR2 Thermocouple

Attach the Thermocouple cable to the Connector marked "SENSE"
This is now ready to use:

Notes:

1. Temperatures are measured to 1 Decimal point
2. Temperature Triggers can be set to whole number values only
3. A hysteresis of -2°C is built into the EZTEXT

Example 1

SET TEMP MAX is set to $+30^{\circ}\text{C}$

As the actual temperature measured increases, EZTEXT will trigger 'over Temperature' at 30.1°C

As the actual temperature measured decreases EZTEXT will trigger at 27.9°C

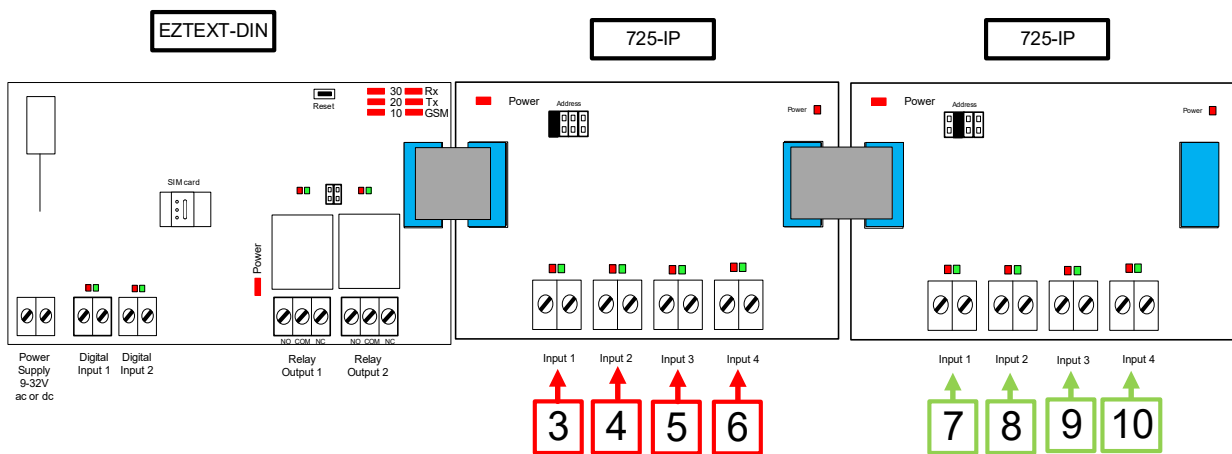
Example 2

SET TEMP MIN is set to $+10^{\circ}\text{C}$

As the actual temperature measured decreases, EZTEXT will trigger 'under Temperature' at 9.9°C

As the actual temperature measured increases EZTEXT will trigger 'Good' at 12.1°C

Using Additional Input / Output Modules



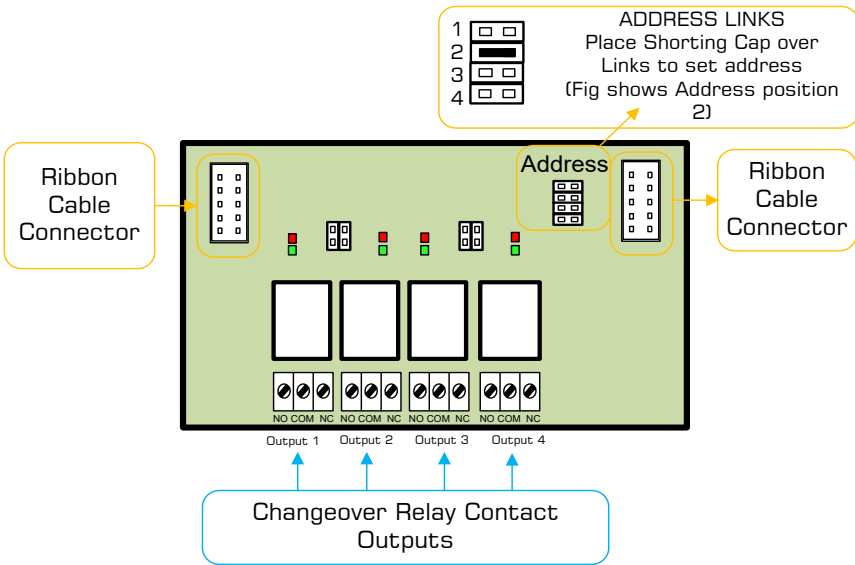
Input and Output modules can be added in any order by connecting with the Ribbon cables supplied.

On initial Powerup EZTEXT automatically interrogates and configures additional modules. (all LEDS Flash). After approx. 60seconds the LEDS stop flashing to indicate the module is ready to use

Notes:

1. Any combinations of 725-IP and 725-OP modules can be added, the Maximum is four, 725-IP Modules and four 725-OP modules in the 'Daisy Chan' link (8 modules in total)
2. When using 725-IP / OP modules there are some limitations (compared with the two input and outputs on the EZTEXT-DIN)

725-OP Additional 4 Outputs Module

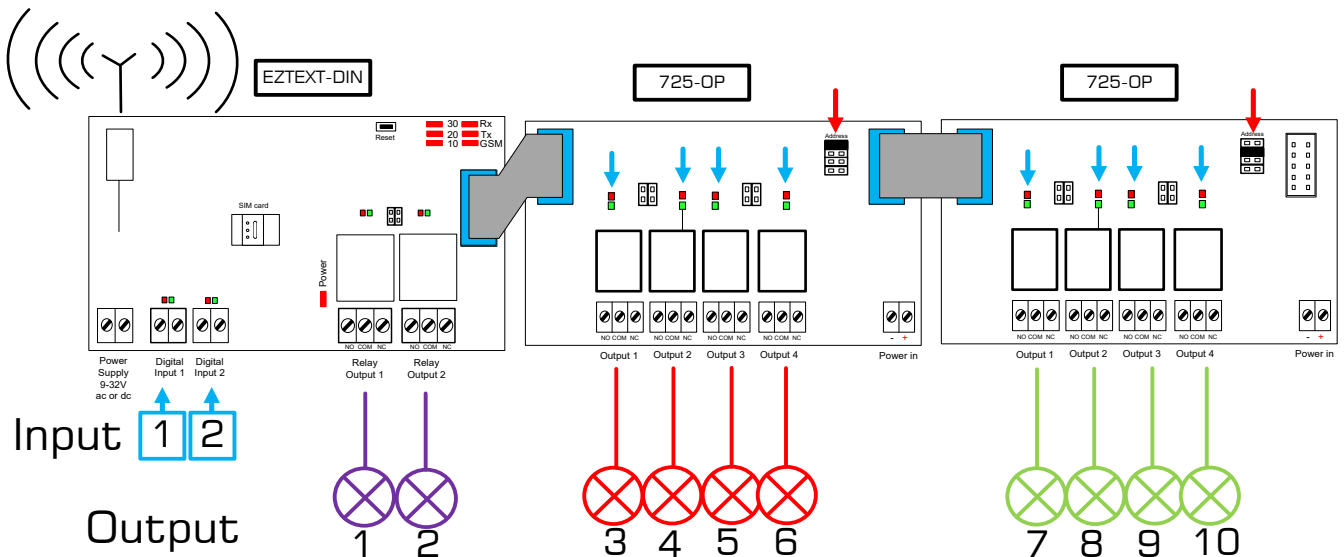


- Each 725-OP module must have a different address Link setting to other 725-OP modules

(For the application shown address Link 2 is fitted this sets the outputs to be numbers 7-10)

- Each Relay Changeover contacts Output can only be switched "On" or "Off".
- Functions such as time delays cannot be used.
- A single telephone OPNUM number applies per output

Example: the number allocated to an output board that you would use to send a text message to activate an output.



Insert SIM Card

Please note:

- Insert NANO SIM Card before applying power (standard 3 Volt SIM only).
- The message memory of the SIM card should be clear before it is fitted.
- Ensure that the SIM card has not been PIN code protected!
- Beware of Pay-as-you-go SIM which require regular top-up to remain active.
- It is recommended to bar Incoming voice calls to the SIM card to avoid error messages being sent back to the user. This can be achieved with the service provider.

The SIM card should be inserted into EZTEXT-DIN before applying power

- RF Solutions recommends O2 and Vodaphone SIM card and has carried out extensive testing using the SIM cards we have for these two networks.
- No guarantee can be given for the operation of this product with any network except those that have been tested by RF Solutions.

Connect Inputs/Outputs and Power Connections

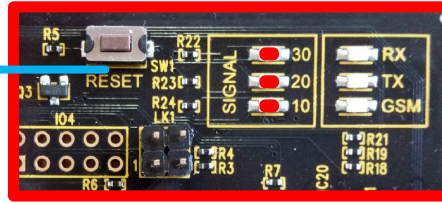
The EZTEXT-DIN unit can be powered from 12 to 24Vdc



Module	ADDRESS LINK	OUTPUT NUMBERS	IPNUM
EZTEXT-DIN INPUT1/Output 1	N/A	1	1
EZTEXT-DIN INPUT2/Output 2	N/A	2	1
725-IP/OP Module	Link 1	3-6	2
725-IP/OP Module	Link 2	7-10	3
725-IP/OP Module	Link 3	11-14	4
725-IP/OP Module	Link 4	15-18	5

LED Indication At Start Up

Logging onto Network (traffic light sequence)						
30		<input type="checkbox"/>	<input type="checkbox"/>		<input type="checkbox"/>	<input type="checkbox"/>
20	<input type="checkbox"/>		<input type="checkbox"/>	<input type="checkbox"/>		<input type="checkbox"/>
10	<input type="checkbox"/>	<input type="checkbox"/>		<input type="checkbox"/>	<input type="checkbox"/>	



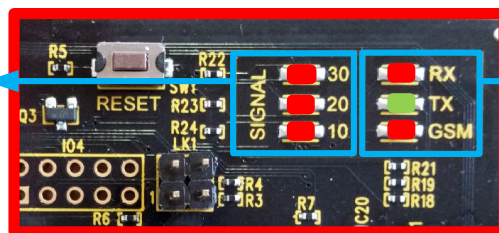
Error! (All Flash ON / OFF together)						
30		<input type="checkbox"/>		<input type="checkbox"/>		<input type="checkbox"/>
20		<input type="checkbox"/>		<input type="checkbox"/>		<input type="checkbox"/>
10		<input type="checkbox"/>		<input type="checkbox"/>		<input type="checkbox"/>

Error - No GSM Service

1. Check SIM Card
2. Check Antenna Connection

LED Indication After Start Up (Normal Operation)

Signal Strength		
Good	OK	Poor



Activity LED's	
RX	Receiving an SMS
TX	Transmitting an SMS
GSM	Intermittent flash GSM healthy

Error Messages & Factory Reset

There are three error messages;

NO AUTHORISATION	Means that EZTEXT did not accept the password
UNRECOGNIZED COMMAND	Password correct but the command is incorrect
UNRECOGNIZED VARIABLE	Password and command OK but the variable data is incorrect

Factory reset:

Hold down the RESET button for approx 10 seconds until all LEDs flash, then release. This will reset EZTEXT to factory default settings and restart.

User Set-Up Commands

Title	Command	Description	Example
Password	UPW	<p>UPW#UNITPW User must send UPW command within 5 mins after power applied. Setting the UPW is carried out by sending this text message to the unit.</p> <p>The User Password (4 – 8 Characters) is case sensitive and can consist of any letters or numbers. If for any reason the unit password is lost, remove all power for 1 minute, and then start again.</p>	<p>UPW#1234 (sets password to 1234)</p> <p>Response: UPW OK</p>
Unit identity	UID	<p>UNITPW#UID#UNITID This sets the 'identity' of the EZTEXT unit, and will be included in any response text from EZTEXT. The UNITID can be 4 to 10 characters with no spaces.</p>	<p>1234#UID#DoorAlarm</p> <p>Response: Door Alarm UID OK</p>
Response	RESPONSE RESPONSE?	<p>UNITPW#RESPONSE#x Setup a Reply Text EZTEXT after receiving a command x=ON or OFF</p> <p>UNITPW#RESPONSE? Requests the status of the current RESPONSE setting</p> <p>NOTE: messages which specifically demand a response such as requests for input status will always be responded to as will the UPW, UID etc. Default setting is for response to be turned off.</p>	<p>1234#RESPONSE#ON Turns on Response messages</p> <p>1234#RESPONSE? Replies with the EZTEXT setting to responses</p>

INPUT Commands

Title	Command	Description	Example
Set an input name	IPNAME IPNAME?	<p>When the input changes this is the name that the EZTEXT will transmit in its text message</p> <p>UNITPW#IPNAME#<name> This designates a <name> to an EZTEXT input (max15 characters) with no spaces. n=1 - 2 for inputs1 to 2</p> <p>UNITPW#IPNAME? Requests the name given to all inputs</p> <p>Please note that only the 2 inputs on the main EZTEXT-DIN module can be given a name.</p>	<p>1234#IPNAME1,Gate Sets input 1 to be known as 'Gate'</p> <p>1234#IPNAME? Requests the current name of input1</p>
Input number to text	IPNUM IPNUM?n IPNUMDEL	<p>Sets the destination phone number(s) (max 5 per input) when an EZTEXT input is activated.</p> <p>UNITPW#IPNUMn,<num to text> n=1 - 2 for inputs1 to 2</p> <p>UNITPW#IPNUM?n Requests all Stored cell Nos for that input</p> <p>UNITPW#IPNUMDELn n=1 - 2 for inputs1 to 2 Deletes all stored cell Nos for that input number</p>	<p>1234#IPNUM1,00441234567891 Sets tel No to input 1</p> <p>1234#IPNUM?1 Requests all stored telephone numbers for input 1</p> <p>1234#IPNUMDEL2 Deletes ALL stored numbers for input 2</p>
Set number of input activations before SMS sent	IPCNT IPCNTVAL?	<p>Sets the number of times an input must be activated before an SMS is sent</p> <p><UNITPW#IPCNTn,x n= input number (1 or 2) x= Counter (0 to 65500)</p> <p>UNITPW#IPCNTVAL? Requests the actual current value of the counter</p>	<p>1234#IPCNT1,10 A text will be sent after input 1 has been activated 10 times</p> <p>1234#IPCNTVAL? Responds with ; INPUT1= 10/4 input1 has been activated 4 times, 6 more activations required before text is sent</p>
Delay SMS on input activation	IPDLY IPDLY?	<p>Sets a timer (Max 65500 secs). When the EZTEXT input is activated the timer starts to countdown in seconds. When the counter reaches zero, providing the input is still activated a text message will be sent.</p> <p>UNITPW#IPDLYn,xx n=1 - 2 for inputs1 to 2 'xx' can be a number from 0 to 65500</p> <p>UNITPW#IPDLY? Requests timer values for all inputs</p>	<p>1234#IPDLY1,60 Input 1 has a 60sec delay before text is sent</p> <p>1234#IPDLY? Responds with ; INPUT1= 60/34 (output1 has been active for 34 out of a total 60sec preset time. 34secs more is required before text sent)</p>

Output Commands

Title	Command	Description	Example
Activate an output	OUT	Turns an output ON or OFF UNITPW#OUTn,x n=Relay number = 1 to 18 x=Relay Status = ON, OFF	1234#OUT1,ON Turns Output1 ON
Set an output name	OPNAME OPNAME?	This designates a name to an EZTEXT output UNITPW#OPNAMEn,name n=Output no name= name can be up to 15 characters. UNITPW#OPNAME? Requests the name of the Outputs Please note that only the 2 outputs on the main EZTEXT-DIN module can be given a name.	1234#OPNAME1,AIRC ON sets output 1 name to be 'AIRCON' 1234#OPNAME? Requests names of all the outputs
Set output on time	OPDLY OPDLY?	Sets output operation time. The output can be set from 1 to 65500 seconds, or If is set to '0', then the output will latch on UNITPW#OPDLYn,t n=Output number t=Delay time (seconds) UNITPW#OPDLY? Requests the current 'on' time setting for an output EZTEXT replies with the preset time delay output and the actual time that the output has been activated for	1234#OPDLY1,500 Sets output1 to operate for 500 sec's 1234#OPDLY? Responds with ; OUTPUT1= 500/34 (output1 has been active for 34 out of a total 500sec preset time)

Power Fail Commands

Title	Command	Description	Example
Number to text on power Restored	PFNUM PFNUM? PFNUMDEL	Texts will be sent to cell phone numbers stored in PFNUM on reboot after a power failure or reset (when power is reapplied). Note: this feature is enabled or disabled by simply having cell phone numbers in PFNUM. UNITPW#PFNUM#<numbertotext> Sets the number to text on power restored (Max 5 separate numbers) UNITPW#PFNUM? Requests the current numbers that are stored UNITPW#PFNUMDEL PFNUMDEL Deletes all stored Power Failed cell Nos	1234#PFNUM#004412 73898000 1234 #PFNUM? Response: Returns current settings 1234 #PFNUMDEL Deletes all stored cell Nos against this Example of text: Building2 Reboot power had failed

Temperature Commands

Command	Description	Description	Example
Request current temperature	TEMP?	UNITPW#TEMP? requests the current temperature.	1234# TEMP?
Set SMS numbers to text on trigger	TEMPNUM TEMPNUM? TEMPNUM-DEL	UNITPW#TEMPNUM#<numbertotext> Sets the cell phone nos (max of 5) linked with the temperature monitoring. TEMPNUM? Requests all linked cell phone nos TEMPNUMDEL Deletes all linked cell phone nos	1234#TEMPNUM#004 41234567891 Sets the number 01234 567891 1234#TEMPNUM? Requests all cell phone numbers which will be notified on temp triggers 1234#TEMPNUMDEL Deletes all the telephone numbers associated with Temperature monitoring
Set maximum trigger temperature	SETTEMPMAX	UNITPW#SETTEMPMAX#n Sets the maximum temperature trigger level in degrees Celsius.	1234#SETTEMPMAX#3 0 Sets the upper trigger level to 30°C
Set maximum trigger temperature	SETTEMPMIN	UNITPW#SETTEMPMIN#n Sets the minimum temperature trigger level.	1234#SETTEMPMIN#2 0 Sets the lower trigger level to 20°C

13. System Commands

Title	Command	Description	Example
Report GSM signal strength	SIGQ	UNITPW#SIGQ Reports EZTEXT GSM signal strength as; 'POOR' (consider alternative antenna) 'OK', or 'Good'.	1234#SIGQ Response: Signal is good
Retrieve status of inputs and outputs	STATUS	UNITPW#STATUS requests the current status of all inputs and outputs	1234#STATUS Response: Returns current settings

Technical Specifications

Storage Temperature: -10 to +70°C.
Operating Temperature: 0 to +55°C.
EZTEXT Dimensions: 136 x 78 x 42 mm

Electrical Characteristics*	Min	Typical	Max	Dimension	Notes
Supply Voltage	12		24	V	
Supply Current for EZTEXT: Idle	24	35	45	mA	1
Operating	200	250	2A	mA	2
Closed Contact Input Time	100			mSecs	
Temperature Cable	-55		110	°C	3
Mains rated Relay Rating (230Vac)		5	12	A	4

*Notes

Figures refer to maximum supply current required with all components idle.

Figures refer to peak supply current required with all components operating.

In practice internal reservoir capacitance limits the instantaneous peak current to less than 500 mA.

Temperature accuracy

+/- 0.5 degrees between -10 to +80-degree Centigrade

+/- 2.0 degrees between -55 to +110-degree Centigrade

The relay contacts in this unit are for functional switching only and must not be used for isolation purposes.

Simplified Declaration of Conformity (RED)

BG - С настоящото RF Solutions Limited декларира, че този тип радиосъоръжение дефинирани в този документ е в съответствие с Директива 2014/53/ЕС. Цялостният текст на ЕС декларацията за съответствие може да се намери на следния интернет адрес: www.rfsolutions.co.uk

CS - Tímto RF Solutions Limited prohlašuje, že typ rádiového zařízení definované v tomto dokumentu je v souladu se směrnicí 2014/53/EU. Úplné znění EU prohlášení o shodě je k dispozici na této internetové adrese: www.rfsolutions.co.uk

DA - Hermed erklærer RF Solutions Limited, at radioudstyrstypen defineret i dette dokument er i overensstemmelse med direktiv 2014/53/EU. EU-overensstemmelseserklæringens fulde tekst kan findes på følgende internetadresse: www.rfsolutions.co.uk

DE - Hiermit erkläre RF Solutions Limited, dass der Funkanlagentyp in diesem Dokument definiert der Richtlinie 2014/53/EU entspricht. Der vollständige Text der EU-Konformitätserklärung ist unter der folgenden Internetadresse verfügbar: www.rfsolutions.co.uk

EL - Με την παρούσα ο/η RF Solutions Limited, δηλώνει ότι ο ραδιοεξοπλισμός ορίζεται σε αυτό το έγγραφο πληροί την οδηγία 2014/53/ΕΕ. Το πλήρες κείμενο της δήλωσης συμμόρφωσης ΕΕ διατίθεται στην ακόλουθη ιστοσελίδα στο διαδίκτυο: www.rfsolutions.co.uk

EN - Hereby, RF Solutions Limited declares that the radio equipment type defined within this document is in compliance with Directive 2014/53/EU. The full text of the EU declaration of conformity is available at the following internet address: www.rfsolutions.co.uk

ES - Por la presente, RF Solutions Limited declara que el tipo de equipo radioeléctrico definido dentro de este documento es conforme con la Directiva 2014/53/UE. El texto completo de la declaración UE de conformidad está disponible en la dirección Internet siguiente: www.rfsolutions.co.uk

ET - Käesolevaga deklareerib RF Solutions Limited, et käesolev raadioseadme tüüp määratletud selles dokumendis vastab direktiivi 2014/53/EL nõuetele. ELi vastavusdeklaratsiooni täielik tekst on kättesaadav järgmisel internetiaadressil: www.rfsolutions.co.uk

FI - RF Solutions Limited vakuuttaa, että radiolaitetyyppi määriteltä selles dokumendis on direktiivin 2014/53/EU mukainen. EU-vaatimustenmukaisuusvakuutuksen täysimittainen teksti on saatavilla seuraavassa internetosoitteessa: www.rfsolutions.co.uk

FR - Le soussigné, RF Solutions Limited, déclare que l'équipement radioélectrique du type défini dans ce document est conforme à la directive 2014/53/UE. Le texte complet de la déclaration UE de conformité est disponible à l'adresse internet suivante: www.rfsolutions.co.uk

HR - RF Solutions Limited ovime izjavljuje da je radijska oprema tipa definirani u ovom dokumentu u skladu s Direktivom 2014/53/EU. Cjeloviti tekst EU izjave o sukladnosti dostupan je na sljedećoj internetskoj adresi: www.rfsolutions.co.uk

HU - RF Solutions Limited igazolja, hogy a dokumentumban meghatározottak szerint típusú rádióberendezés megfelel a 2014/53/EU irányelvnek. Az EU-megfelelőségi nyilatkozat teljes szövege elérhető a következő internetes címen: www.rfsolutions.co.uk

IT - Il fabbricante, RF Solutions Limited, dichiara che il tipo di apparecchiatura radio definito all'interno di questo documento è conforme alla direttiva 2014/53/UE. Il testo completo della dichiarazione di conformità UE è disponibile al seguente indirizzo Internet: www.rfsolutions.co.uk

LT - Aš, RF Solutions Limited, patvirtinu, kad radijo įrenginių tipas apibrėžta šiame dokumente atitinka Direktyvą 2014/53/ES. Visas ES atitikties deklaracijos tekstas prieinamas šiuo interneto adresu: www.rfsolutions.co.uk

LV - Ar šo RF Solutions Limited deklarē, ka radioiekārta kas definēts šajā dokumentā atbilst Direktīvai 2014/53/ES. Pilns ES atbilstības deklarācijas teksts ir pieejams šādā interneta vietnē: www.rfsolutions.co.uk

MT - B'dan, RF Solutions Limited, niddikjara li dan it-tip ta' taghmir tar-radju definit f'dan id-dokument huwa konformi mad-Direttiva 2014/53/UE. It-test kollu tad-dikjarazzjoni ta' konformita' tal-UE huwa disponibbli f'dan l-indirizz tal-Internet li ġejj: www.rfsolutions.co.uk

NL - Hierbij verklaar ik, RF Solutions Limited, dat het type radioapparaatuur gedefinieerd in dit document conform is met Richtlijn 2014/53/EU. De volledige tekst van de EU-conformiteitsverklaring kan worden geraadpleegd op het volgende internetadres: www.rfsolutions.co.uk

PL - RF Solutions Limited niniejszym oświadczam, że typ urządzenia radiowego zdefiniowane w tym dokumencie jest zgodny z dyrektywą 2014/53/UE. Pełny tekst deklaracji zgodności UE jest dostępny pod następującym adresem internetowym: www.rfsolutions.co.uk

PT - O(a) abaixo assinado(a) RF Solutions Limited declara que o presente tipo de equipamento de rádio definido neste documento está em conformidade com a Diretiva 2014/53/UE. O texto integral da declaração de conformidade está disponível no seguinte endereço de Internet: www.rfsolutions.co.uk

RO - Prin prezenta, RF Solutions Limited declară că tipul de echipamente radio definit în acest document este în conformitate cu Directiva 2014/53/UE. Textul integral al declarației UE de conformitate este disponibil la următoarea adresă internet: www.rfsolutions.co.uk

SK - RF Solutions Limited týmto vyhlasuje, že rádiové zariadenie typu definované v tomto dokumente je v súlade so smernicou 2014/53/EÚ. Úplné EÚ vyhlásenie o zhode je k dispozícii na tejto internetovej adrese: www.rfsolutions.co.uk

SL - RF Solutions Limited potrjuje, da je tip radijske opreme opredeljeno v tem dokumentu skladen z Direktivo 2014/53/EU. Celotno besedilo izjave EU o skladnosti je na voljo na naslednjem spletnem naslovu: www.rfsolutions.co.uk

SV - Härmed försäkras RF Solutions Limited att denna typ av radioutrustning definieras i detta dokument överensstämmer med direktiv 2014/53/EU. Den fullständiga texten till EU-försäkran om överensstämmelse finns på följande webbadress: www.rfsolutions.co.uk

RF Solutions Ltd. Recycling Notice

Meets the following EC Directives:

DO NOT

Discard with normal waste, please recycle.

ROHS Directive 2011/65/EU as amended by 2015/863/EU

Specifies certain limits for hazardous substances.

WEEE Directive 2012/19/EU

Waste electrical & electronic equipment. This product must be disposed of through a licensed WEEE collection point. RF Solutions Ltd., fulfils its WEEE obligations by membership of an approved compliance scheme. Environment agency registration agency number: **WEE/JB0104WV**.



Disclaimer:

Whilst the information in this document is believed to be correct at the time of issue, RF Solutions Ltd does not accept any liability whatsoever for its accuracy, adequacy or completeness. No express or implied warranty or representation is given relating to the information contained in this document. RF Solutions Ltd reserves the right to make changes and improvements to the product(s) described herein without notice. Buyers and other users should determine for themselves the suitability of any such information or products for their own particular requirements or specification(s). RF Solutions Ltd shall not be liable for any loss or damage caused as a result of user's own determination of how to deploy or use RF Solutions Ltd's products. Use of RF Solutions Ltd products or components in life support and/or safety applications is not authorised except with express written approval. No licences are created, implicitly or otherwise, under any of RF Solutions Ltd's intellectual property rights. Liability for loss or damage resulting or caused by reliance on the information contained herein or from the use of the product (including liability resulting from negligence or where RF Solutions Ltd was aware of the possibility of such loss or damage arising) is excluded. This will not operate to limit or restrict RF Solutions Ltd's liability for death or personal injury resulting from its negligence.