

NO: NT-111
DATE: October 2018

PRODUCT: NT21
TYPE: Discontinuation notice

Discontinuation of Select NT21 Programming Terminals

Select NT21 HMI devices are being discontinued. The replacement product is the NB3 series of HMI. **The final last time buy order entry date will be the end of February 2019.** The last date of support for this model is March 2026.



The recommended replacement will require new programming and has a different size panel cutout. The recommended replacement, the NB series, is a high performance low cost HMI with a 65536 color TFT LCD. NB-Designer software can be downloaded from www.omron247 for free.

Discontinued Model and Replacement

Product discontinuation	Recommended replacement
NT21-ST121-E	NB3Q-TW00B or NB5Q-TW00B
NT21-ST121B-E	

Compatibility

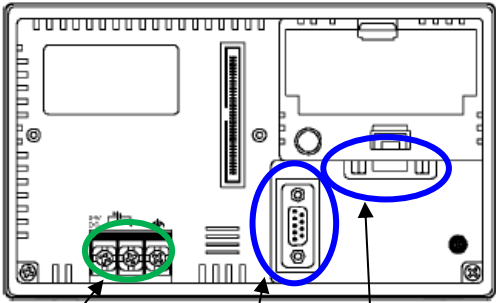
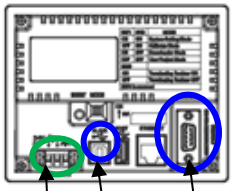
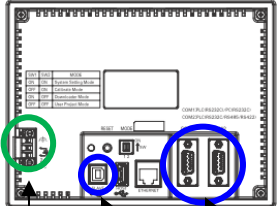
Recommended replacement Model	Body Color	Dimen-sions	Wire connection	Mounting Dimensions	Charact-eristics	Operation ratings	Operation methods
NB3Q-TW00B	**/--	--	--	--	--	--	--
NB5Q-TW00B	**/--	--	--	--	--	--	--

- ** : Compatible
- * : The change is a little/Almost compatible
- : Not compatible
- : No corresponding specification

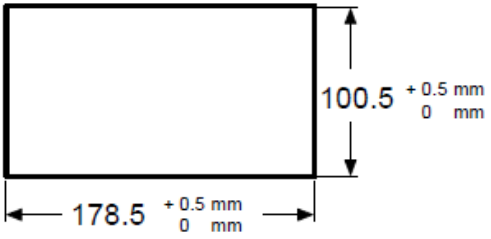
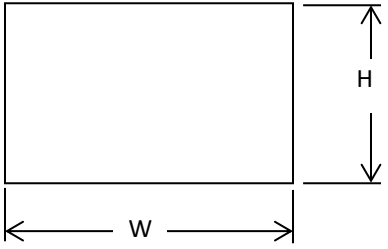
Color

Discontinued Product Model NT21-ST121(B)-E	Recommended Replacement Model NB3Q,NB5Q
Ivory :NT21-ST121-E Black : NT21-ST121B-E	Black color only

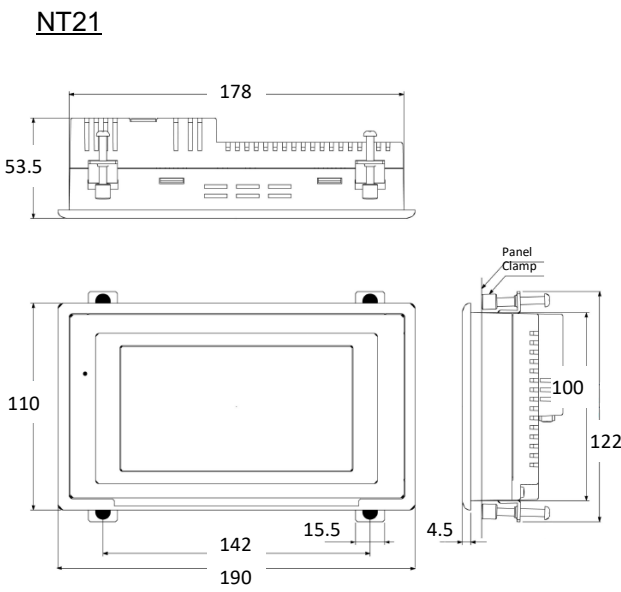
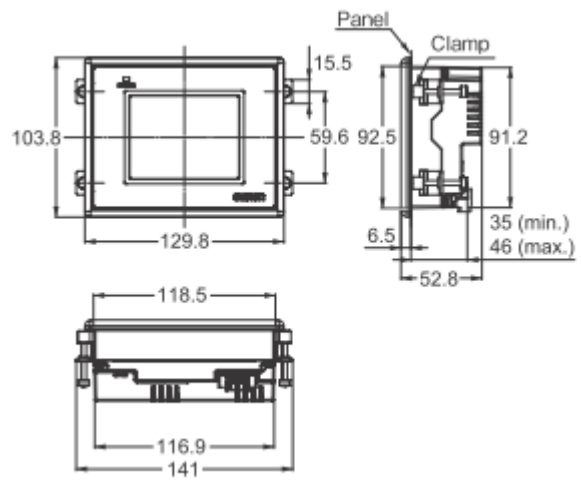
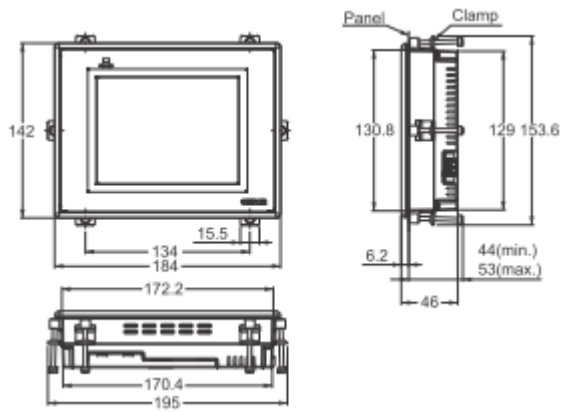
Connections

Discontinued Product Model NT21-ST121(B)-E	Recommended Replacement Model NB3Q,NB5Q
<p style="text-align: center;"><u>NT21</u></p>  <p>1) Power input terminals</p> <p>2) RS232C connector (For connecting to a host or to a tool)</p> <p>3) RS232C connector (For connection to a host)</p>	<div style="display: flex; justify-content: space-around;"> <div style="text-align: center;"> <p><u>NB3Q</u></p>  <p>1) 2) 3)</p> </div> <div style="text-align: center;"> <p><u>NB5Q</u></p>  <p>1) 2) 3)</p> </div> </div> <div style="border: 1px solid black; padding: 5px; margin-top: 10px;"> <p>1) Power input terminal 2) Tool port (USB) 3) RS-232 connector (For connecting to a host)</p> </div>

Mounting Dimensions

Discontinued Product Model NT21-ST121(B)-E	Recommended Replacement Model NB3Q,NB5Q									
<p>Panel cut dimensions</p>  <p style="text-align: center;">178.5 ^{+0.5 mm}/_{0 mm}</p> <p style="text-align: center;">100.5 ^{+0.5 mm}/_{0 mm}</p>	<p>Panel cut dimensions</p>  <p style="text-align: center;">W</p> <p style="text-align: center;">H</p> <table border="1" style="width: 100%; text-align: center;"> <thead> <tr> <th>model</th> <th>W(mm)</th> <th>H(mm)</th> </tr> </thead> <tbody> <tr> <td>NB3Q-TW00B</td> <td>119.0(+0.5/-0)</td> <td>93.0(+0.5/-0)</td> </tr> <tr> <td>NB5Q-TW00B</td> <td>172.4(+0.5/-0)</td> <td>131.0(+0.5/-0)</td> </tr> </tbody> </table>	model	W(mm)	H(mm)	NB3Q-TW00B	119.0(+0.5/-0)	93.0(+0.5/-0)	NB5Q-TW00B	172.4(+0.5/-0)	131.0(+0.5/-0)
model	W(mm)	H(mm)								
NB3Q-TW00B	119.0(+0.5/-0)	93.0(+0.5/-0)								
NB5Q-TW00B	172.4(+0.5/-0)	131.0(+0.5/-0)								

Dimensions

Product discontinuation Model NT21-ST121(B)-E	Recommendable replacement Model NB3Q,NB5Q
<p>Outside Dimensions</p> <p><u>NT21</u></p>  <p>Units: mm</p>	<p>Outside Dimensions</p> <p><u>NB3Q</u></p>  <p><u>NB5Q</u></p>  <p>Units: mm</p>

Specifications

Item	Product discontinuation Model NT21-ST121(B)-E	Recommendable replacement	
		Model NB3Q	Model NB5Q
Display device	Monochrome STN LCD	TFT Color LCD	TFT Color LCD
Display inches	—	3.5 inches	5.6 inches
Display colors	White/Black	65,536 colors	65,536 colors
Number of dots	260 x 140 dot	320 x 240 dot	320 x 234 dot
Backlight Service life	50,000 hours min.	50,000 hours min.	50,000 hours min.
Rated power supply voltage	24 VDC	24 VDC	24 VDC
Power consumption	7W max.	9W max.	10W max.
Communications	Serial Communications x2 (RS232C x2)	Serial Communication x1 (RS232C/RS422A /485) USB2.0 x2 (typeA+typeB)	Serial Communication x2 (RS232C+ RS232C/RS422A/485) USB2.0 x2 (typeA+typeB)
Standard	UL1604 Class1 Division2, EU	UL508,KC,EU	UL508,KC,EU
Manual	V061-E1:Operation Manual V068-E1:Setup Manual V069-E1:Reference Manual	V106-E1:Operation Manual V107-E1:Setup Manual V108-E1:Host Connection Manual	V106-E1:Operation Manual V107-E1:Setup Manual V108-E1:Host Connection Manual
Design software	NT-ZJCAT1-E(C)V4	NB-Designer	NB-Designer

Specifications and prices in this product news are as of the issue date and are subject to change without notice. Only main changes in specifications are described in this document. Please be sure to read the relevant catalogs, datasheets, product specifications, instructions, and manuals for precautions and necessary information when using products.