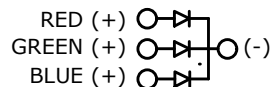
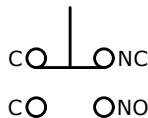
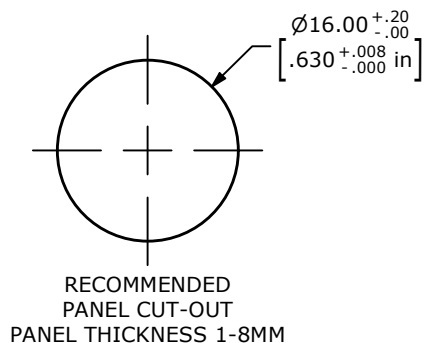


SWITCH FUNCTION	
POS. 1	POS. 2
ON	(ON)
C - NC	C - NO



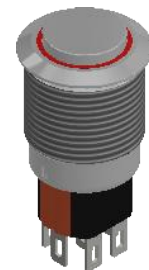
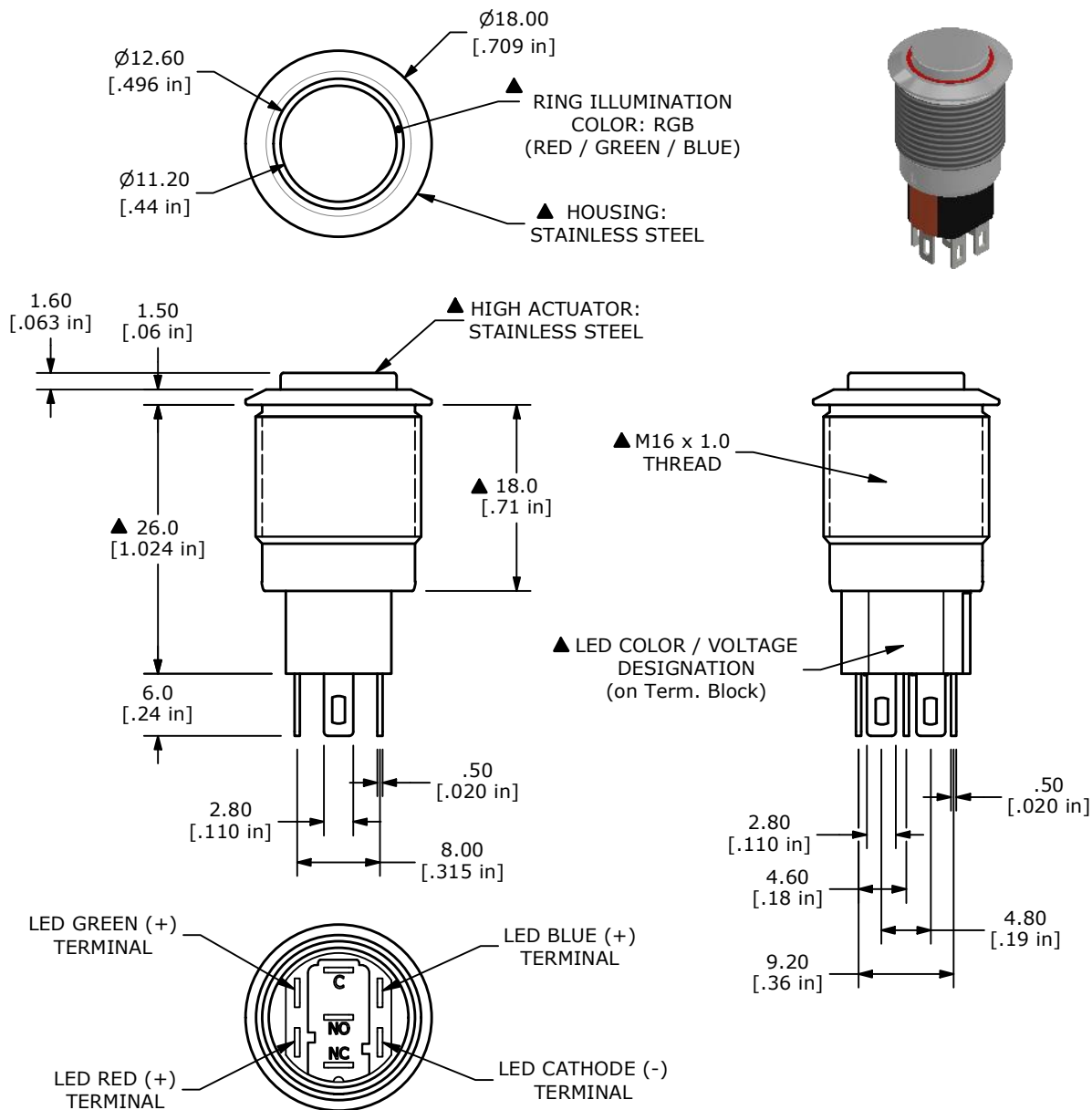
▲ SCHEMATIC

( ) DENOTES MOMENTARY FUNCTION



NOTE:

1. ALL DIMENSIONS IN mm [INCH]
2. GENERAL TOLERANCE: X.X = ±0.4  
X.XX = ±0.25
3. TERMINAL NUMBERS FOR REF ONLY
4. CONTACT MATERIAL: SILVER
5. RATING: 2A 36VDC
6. ELECTRIC LIFE: 50,000 MAKE-AND-BREAK CYCLES AT FULL LOAD.
7. INSULATION RESISTANCE: 1,000 MΩ MIN.
8. DIELECTRIC STRENGTH: 1,500 VAC MIN. FOR 1 MINUTE
9. CONTACT RESISTANCE: 50mΩ MAX.
10. OPERATING TEMP.: -25°C to 55°C
11. TRAVEL: 3.0mm
12. ▲ DENOTES CRITICAL PARAMETER
13. ACTUATION FORCE: 1.7N NOMINAL
14. INGRESS PROTECTION: IP65
15. HARDWARE SUPPLIED: O-RING AND HEXNUT
- ▲ 16. LAMP VOLTAGE: BASE VOLTAGE  
1.8V RED; 2.8V GREEN; 2.8V BLUE



C	24575	UPDATE THREAD LENGTH TO 13.4	11/2/20	JM
B	23342	change location of color/voltage callout	5/2/18	MW
A	23163	New Release	1/12/18	RC
REV	PCR NO	DESCRIPTION	DATE	BY

E-SWITCH®

TITLE **PVA3H2B0SS3R1**

SCALE	DATE	DR	DWG	REV
3:2	1/12/2018	RC	52-PVA3H2B0SS3R1	C