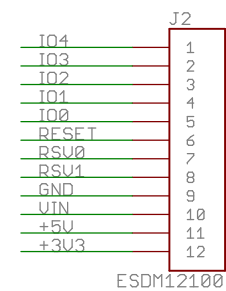
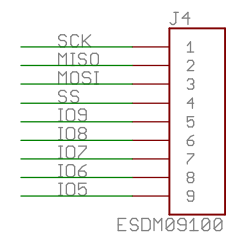
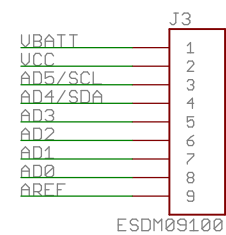
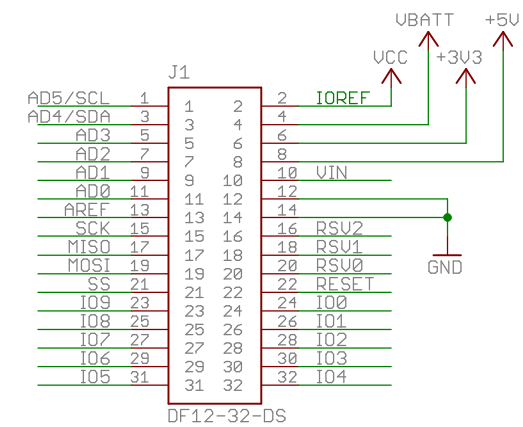


# Proto Terminal Block Prototyping Board

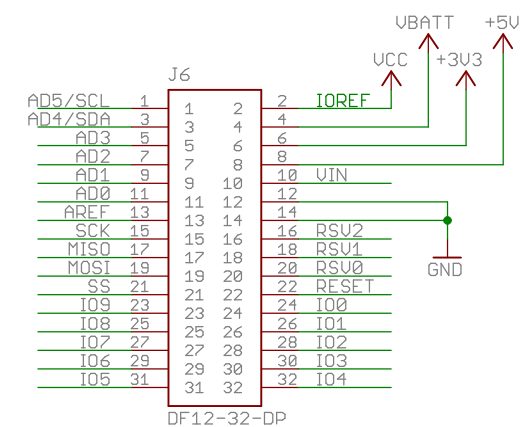
## Through-Hole Expansion Solder Points



## TinyShield Expansion - Bottom



## TinyShield Expansion - Top



Released under the Creative Commons Attribution Share-Alike 3.0 License  
<http://creativecommons.org/licenses/by-sa/3.0>

Original Arduino Uno Design by Team Arduino  
 LilyPad Arduino Design by Leah Buechley and Sparkfun Electronics  
 TinyDuino, TinyLily and TinyShield Designs by TinyCircuits

 <a href="http://www.TinyCircuits.com">http://www.TinyCircuits.com</a>	
TITLE: TinyShield - Proto Terminals Board	
Document Number: AS-SCH-ASD2005	REV: 2
Date: 3/6/2016 4:22:17 PM	Sheet: 1/1