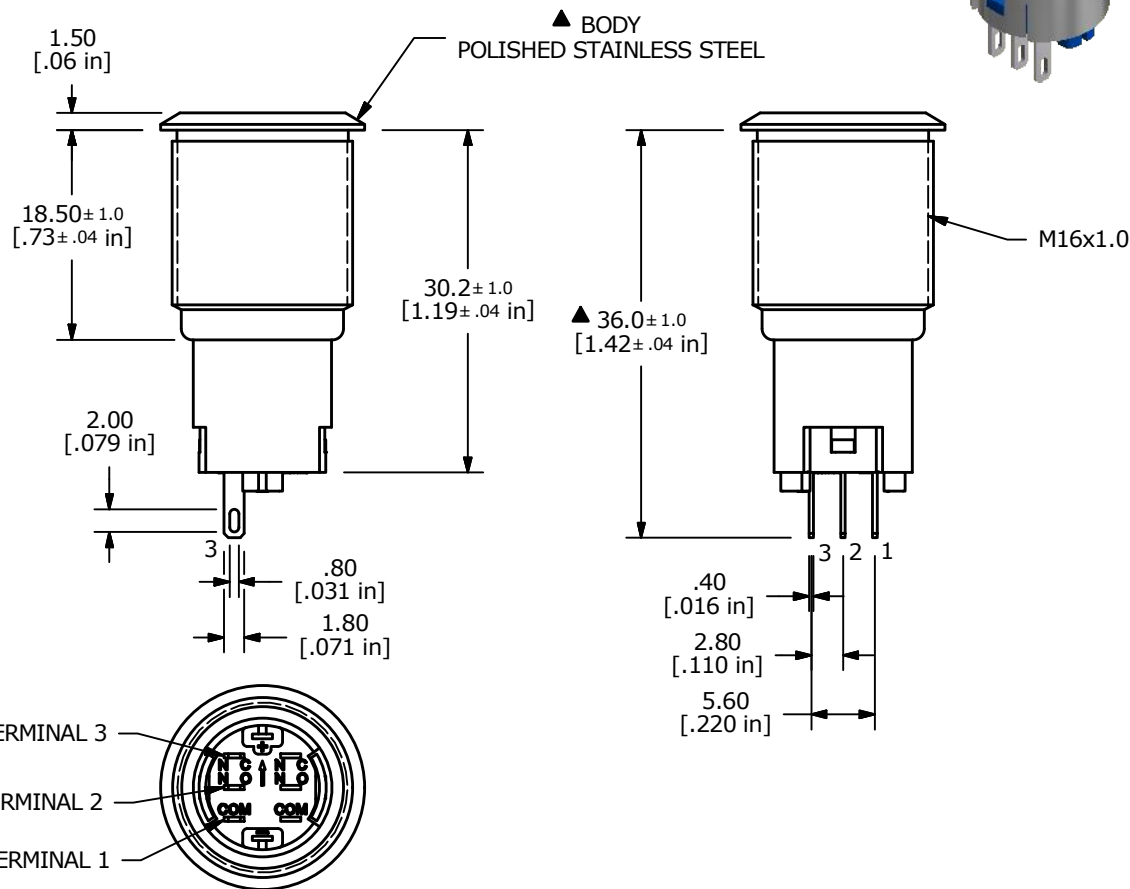
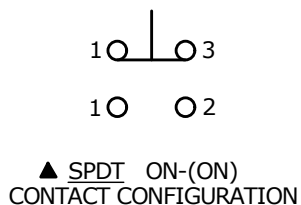


SWITCH FUNCTION	
POS. 1	POS. 2
ON	(ON)
1-3	1-2

(ON) = MOMENTARY



- NOTE:
1. ALL DIMENSIONS IN MM [INCH]
 2. GENERAL TOLERANCE: X.X = ±0.4
X.XX = ±0.25
 3. TERMINAL NUMBERS FOR REF ONLY
 - ▲ 4. CONTACT MATERIAL: SILVER
 5. RATING: 2A 48VDC
 6. ELECTRIC LIFE: 50,000 MAKE-AND-BREAK CYCLES AT FULL LOAD.
 7. INSULATION RESISTANCE: 1,000 MΩ MIN.
 8. DIELECTRIC STRENGTH: 2,000 VAC MIN. FOR 1 MINUTE
 9. CONTACT RESISTANCE: 50mΩ MAX. @ 1A 12VDC
 10. OPERATING TEMP.: -20°C to 55°C
 11. ▲ DENOTES CRITICAL PARAMETER.
 - ▲ 12. HARDWARE SUPPLIED: O-RING AND HEXNUT
 13. INGRESS RATING: IP40
 14. 2011/65/EU (ROHS) COMPLIANT
 - ▲ 15. LAMP VOLTAGE: NO LAMP



REV	PCR NO	DESCRIPTION	DATE	BY
E	23357	UPDATED RATING TO 2A 48VDC	5/11/18	MJR
D	22880	UPDATED RATING TO 1A 24VDC	6/7/17	MJR

TITLE PV3F2B0SS				
SCALE 3:2	DATE 1/19/2012	DR BMA	DWG 52-PV3F2B0SS	REV E

THE INFORMATION CONTAINED IN THIS DOCUMENT IS PROPRIETARY TO E-SWITCH AND IS NOT TO BE COPIED OR TRANSFERRED