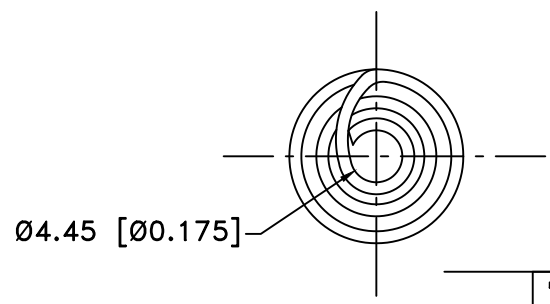
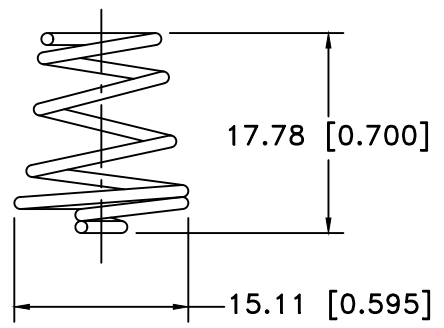
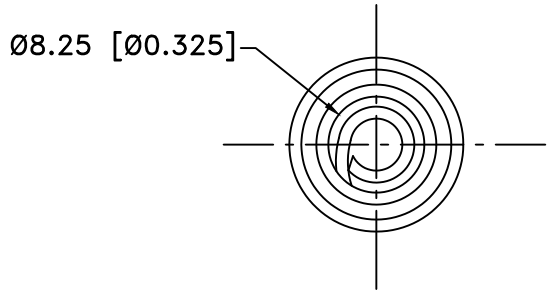



Date	SYM	REVISION RECORD	AUTH	DR.	CK.
04/05/19	B	UPDATED TO "ROHS COMPLIANT"	T.B.	B.S.	



NOTES:  
MATERIAL: SPRING STEEL WIRE, NICKEL PLATED  
ROHS COMPLIANT

Tolerance (Except as noted)	 <b>Memory Protection Devices, Inc</b> 200 Broad Hollow Road, Farmingdale, New York 11735			
	decimal ±.5 (.020)		Scale	Drawn By B.S.
	Fractional ± .8 (.030)	Title D BATTERY SPRING CONTACT		
	Angular ± 3°	Date 04/05/19	Drawing Number BC-D	